

1.2- Meter Ku-Band Offset feed



▶ 1.2m back View



▶ 1.2m with NMP

PERFORMANCE SPECIFICATIONS (APERTURE 1.2M)

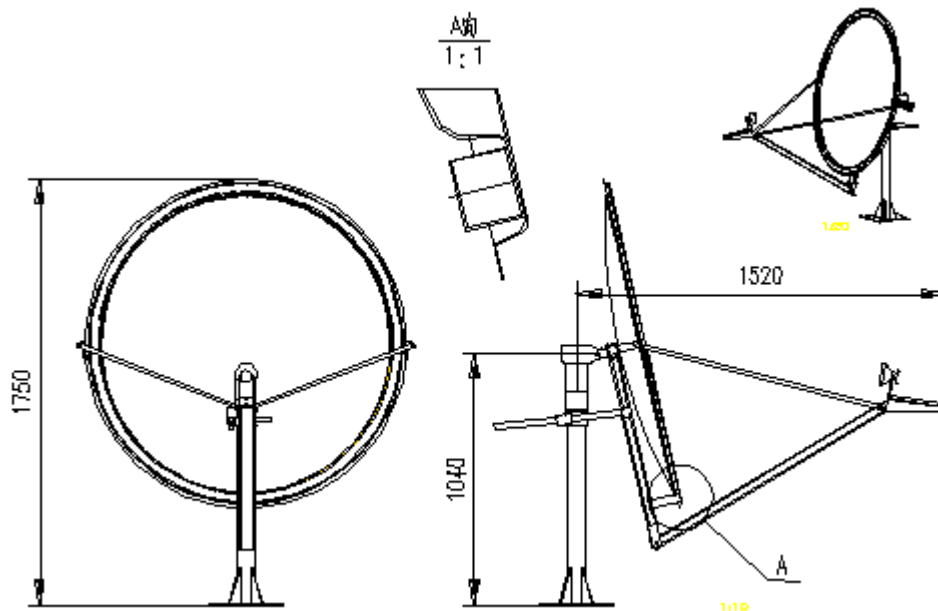
★ R. F SPECIFICATIONS	RECEIVE	
	Ku-Band	TRANSMIT
1. Frequency	12.25-12.75Ghz * 10.95-12.75Ghz	14.0-14.5Ghz
2. Gain	42.15dB	43.19dB
3. VSWR	1.25:1	1.25:1
4. Beamwidth (-3dB)	1.3°	1.14°
5. Antenna Noise Temperature 20° Elevation	24 °K	
6. Typical G/T (at 20° Elevation, Clear horizon, 11.85Ghz / 90°K LNA)	22.7 dB°K	
7. Power Handling Capability		1kW
8. Feed Interface	WR-75F	WR-75G
9. Feed Insertion Loss	0.2dB	0.2dB
10. Cross Polarization Isolation		
On Axis	35dB	35dB
Within 1 dB Contour	30dB	30dB
11. Port to Port Isolation (Tx-Rx with Filter)	≥ 85dB	
12. Sidelobes		
1st sidelobe		- 14dB
100MD° ≤ θ ≤ 48°		29- 25Log θ dBi
* Provided according to User's requirement		
★ MECHANICAL SPECIFICATION	★ ENVIRONMENTAL SPECIFICATIONS	
Reflector Material: Steel	Wind Loading	Operational 20 m/s Survival 35 m/s
Antenna Optics: Offset Feed	Temperature	Operational -40° to 60°
Mount Type: Elevation over Azimuth	Rain	Operational/Survival 10 cm / h
Elevation Adjustment	Ice	Operational/Survival 2.5cm
Range: 5° to 90°, Continuous	Atmospheric Conditions	Salt, Pollutants
Azimuth Adjustment	and Contaminants as Encountered in Coastal and Industrial Areas	
Range: 360° Continuous	Solar Radiation	1000kcal/hm ²

APPROVALS

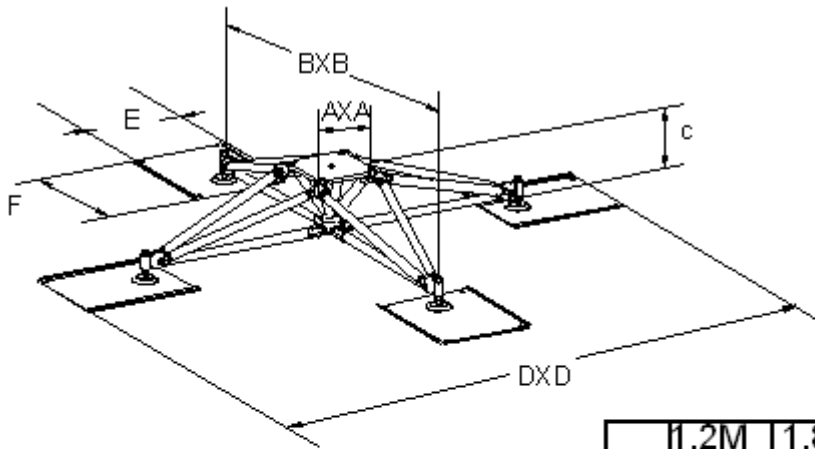
MODEL	DESCRIPTION	SATELLITE	APPROVAL ORGANIZATION	APPROVAL DATE
SM-T3.7R	3.7m C-Band	AsiaSat 1	Asia Sat.Telecomm. Co. Ltd.	13/07/1992
SM-T4.5R	4.5m C-Band	AsiaSat 1	Asia Sat.Telecomm. Co. Ltd.	13/07/1992
TP-T3.7R	3.7m C-Band	AsiaSat 2	Asia Sat.Telecomm. Co. Ltd.	10/04/1996
TP-T2.4R	2.4m C-Band	AsiaSat 1	Asia Sat.Telecomm. Co. Ltd.	15/04/1996
SM-T4.5R	4.5m C-Band	AsiaSat 2	Asia Sat.Telecomm. Co. Ltd.	20/09/1996
TP-T3.0R	3.0m Ku-Band	AsiaSat 2	Asia Sat.Telecomm. Co. Ltd.	05/12/1996
SM-T3.0R	3.0m C-Band	AsiaSats	Asia Sat.Telecomm. Co. Ltd.	18/09/1998
SM-T3.7RK	3.7m Ku-Band	AsiaSats	Asia Sat.Telecomm. Co. Ltd.	18/09/1998
SM-T2.4R	2.4m C-Band	AP Stars	APT Sat. Co., Ltd.	18/07/1995
SM-T3.7RC	3.7m C-Band	AP Stars	APT Sat. Co., Ltd.	25/07/1997
SM-T4.5RC	4.5m C-Band	AP Stars	APT Sat. Co., Ltd.	25/07/1997
SM-T3.0R	3.0m C-Band	AP Stars	APT Sat. Co., Ltd.	12/10/1998
TP-T3.0R	3.0m Ku-Band	AP Stars	APT Sat. Co., Ltd.	12/10/1998
SM-T3.7RK	3.7m Ku-Band	AP Stars	APT Sat. Co., Ltd.	12/10/1998
SM-T4.5R	4.5m C-Band	Military Sat.	General Staff of PLA	03/06/1993
TP-T3.0R	3.0m Ku-Band	China Stars	China Telecom. Broadcast Sat. Co.	10/12/1998
SM-T3.0R	3.0m C-Band	China Stars	China Telecom. Broadcast Sat. Co.	10/12/1998
SM-T3.7RK	3.7m Ku-Band	China Stars	China Telecom. Broadcast Sat. Co.	10/12/1998
SM-T3.0R	3.0m C-Band	ChinaSat 1	China Orient Telecomm Sat. Co.	02/12/1998
SM-T3.7R	3.7m Ku-Band	ChinaSat 1	China Orient Telecomm Sat. Co.	02/12/1998
SM-T3.0RC	3.0m C-Band	SinoSat 1	SINO Satellite Communications Company Ltd.	04/1999
SM-T3.0RK	3.0m Ku-Band	SinoSat 1	SINO Satellite Communications Company Ltd.	04/1999

SM-T3.7RC	3.7m C-Band	SinoSat 1	SINO Satellite Communications Company Ltd.	04/1999
SM-T3.7RK	3.7m Ku-Band	SinoSat 1	SINO Satellite Communications Company Ltd.	04/1999
SM-T1.8RK	1.8m Ku-Band	SinoSat 1	SINO Satellite Communications Company Ltd.	08/1999
SM-T1.2RK	1.2m Ku-Band	SinoSat 1	SINO Satellite Communications Company Ltd.	11/2000
SM-T1.8RK	1.8m Ku-Band	AsiaSats	Asia Sat.Telecomm. Co. Ltd.	12/04/2000

GEOMETRY



OPTIONS



	1.2M	1.8M	2.4M	3.0M	3.7M	4.5M
A	300	300	300	340	340	420
B	2245	2245	2245	2495	2495	4500
C	380	380	380	410	410	600
D	3258	3258	3258	3535	3535	5700
F×E	500×500	500×500	500×500	700×560	700×560	700×560
* N.W.	180	180	180	200	200	340
** Q	120	120	180	405	552	1023

- * N.W.: Net self-weight of Non-penetrating mount
- ** Q: Load weight for each bottom plate

