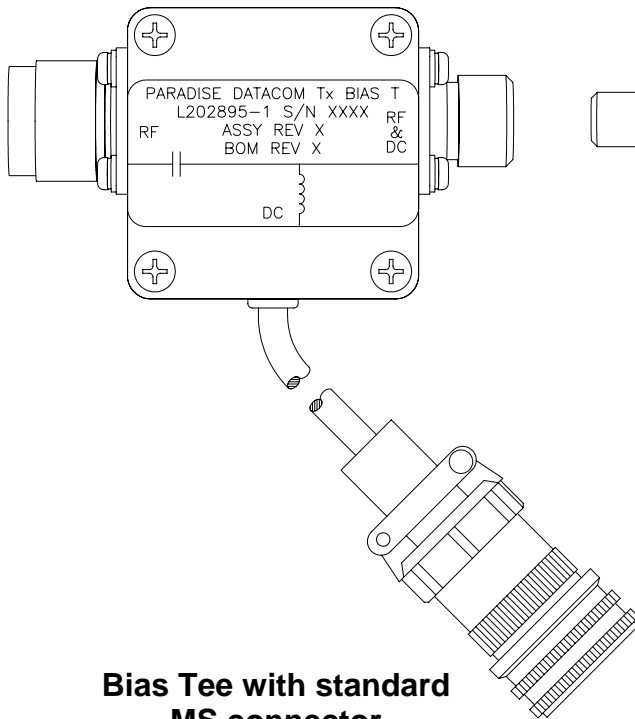
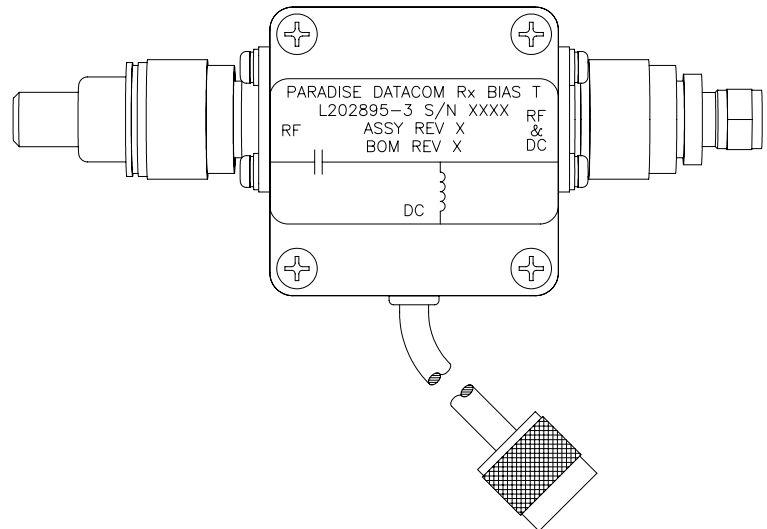


# VSAT BUC Bias Tees



**Bias Tee with standard  
MS connector**



**Bias Tee with optional  
TNC connector**

## DESCRIPTION

The **Paradise Datacom VSAT Block Up Converter (BUC) Bias Tee** is an integral part of any high power VSAT System.

The addition of a Bias Tee allows a 10 Watt or 20 Watt C-Band BUC and a 8 Watt or 10 Watt Ku-Band BUC to be powered through the IF cable. The Bias Tee is capable of handling operating currents of up to 6 Amps at 48 VDC.

### FEATURES

- Integral DC cable with mating circular connector for connection with Paradise Datacom family of High Power single box Block Up Converters.

### AT A GLANCE

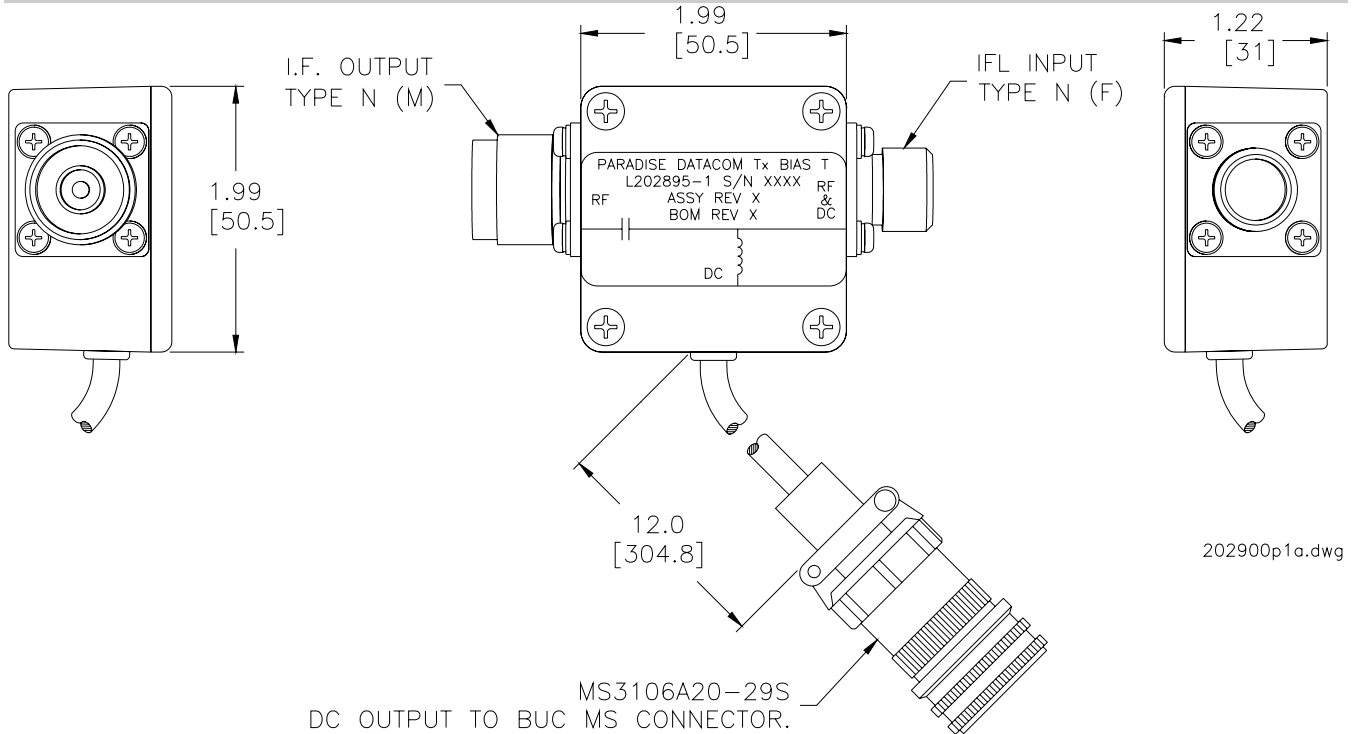
- Extremely broadband bias tee.
- Passes 650 KHz FSK control signals, 10 MHz reference and 950-2000 MHz IF while separating the DC current to operate a high power Block Up Converter.

# VSAT BUC Bias Tees

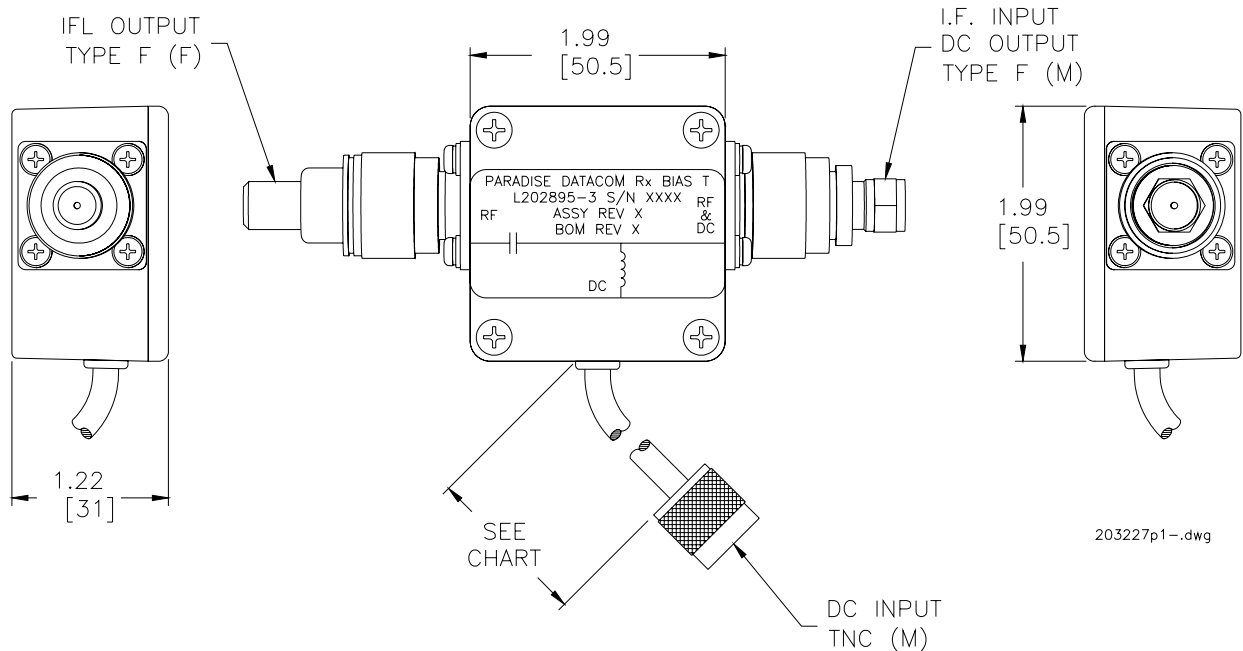


ELECTRICAL SPECIFICATIONS			
PARAMETER	NOTES	LIMITS	UNITS
Frequency Range	IF Reference FSK	950 - 2000 10 - 50 650	MHz MHz KHz
Insertion Loss		≤ 2	dB
Return Loss	Input/Output	≥ 15	dB
DC Current	maximum	6	Amps
DC Voltage	maximum	50	Volts
ENVIRONMENTAL SPECIFICATIONS			
PARAMETER	NOTES	LIMITS	UNITS
Operating Temperature Range		-40 to +60	°C
Storage Temperature Range		-55 to +90	°C
Humidity	condensing	100	%
MECHANICAL SPECIFICATIONS			
PARAMETER	NOTES	LIMITS	UNITS
Connectors (L202895-1)	IFL Input IF Output DC Output	Type N (F) Type N (M) MS3106A20-29S	
Size	W x H x D	1.99 x 1.99 x 1.22 50.5 x 50.5 x 31	in mm
OPTIONS			
PART NO.	OPTION	NOTES	
L202895-2	IF Output	Type N (F)	
L202895-3	IF Input, DC Output IFL Output DC Input	Type F (M) Type F (F) TNC with 15 ft. cable	
L202895-4	IF Input, DC Output IFL Output DC Input	Type F (M) Type F (F) TNC with 2 ft. cable	

# VSAT BUC Bias Tees



## Bias Tee with standard MS connector (202895-1)



DC CABLE	
P/N	LENGTH
L202895-3	15 FT [4.6 meters]
L202895-4	2 FT [.61 meters]

## Bias Tee with optional TNC connector (202895-3 or 202895-4, see table)