



< 1:1 C-Band  
LNA Plate  
Assembly  
with RCP2-1100

### Description

At the heart of all Paradise Datacom redundant LNA systems are the field-proven low noise amplifier product lines.

Available in all common C-Band frequencies, and offering state-of-the-art noise temperature performance, these LNAs can be configured for use in 1:1, 1:2 and custom redundant systems.

System monitoring and control is provided through the microprocessor-based RCP2-1100 and RCP2-1200 redundant control panels. Dual 1:1 systems are controlled via the RCPD-1100 redundant control panel.

LNA plate assemblies are designed for convenient integration into any antenna hub or facility with RF and user interfaces readily accessible.

Common feed interfaces are offered as standard and isolation is provided at all RF interfaces. A range of RF hardware options and custom plate configurations are offered to meet specific system requirements.

### LNA PLATE

- Compact plate assemblies facilitate convenient antenna hub mounting
- Standard feed orientations
- State-of-the-art noise temperatures provided by Paradise Datacom LNAs
- All LNAs contain integral RF isolators

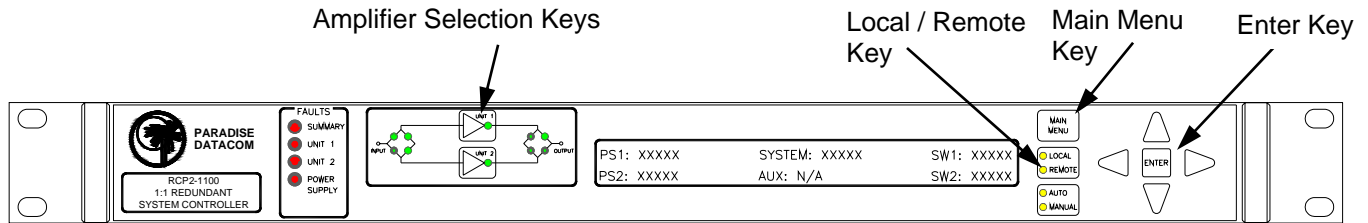
### CONTROL PANEL

- User-friendly M&C provided locally as well as through a standard serial I/O. (RS-232, 485 or optional Ethernet interfaces)
- Auto-ranging redundant power supplies: 85-264 VAC @ 47 to 63 Hz
- High system level reliability

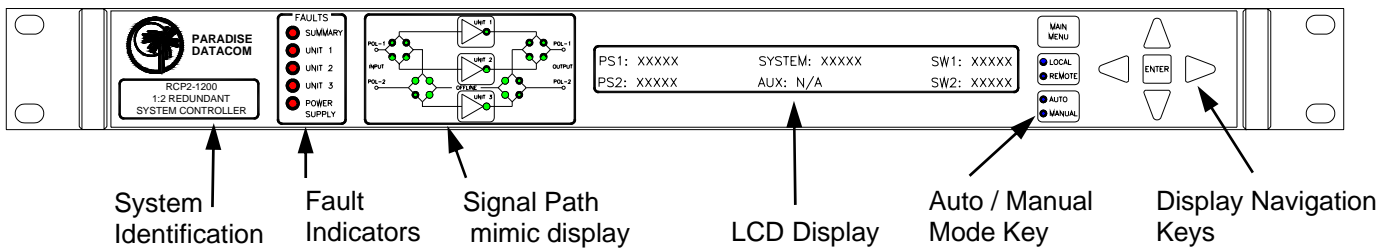
### OPTIONS

- LNB Redundant Systems
- Transmit-band Reject Filter
- Off-line RF I/O
- Waveguide Test Inject Input Coupler
- Coaxial Output Coupler
- Dual 1:1 Redundant Assembly
- Custom LNA Plate Configurations
- -48 VDC Operation
- Remote Control Panels

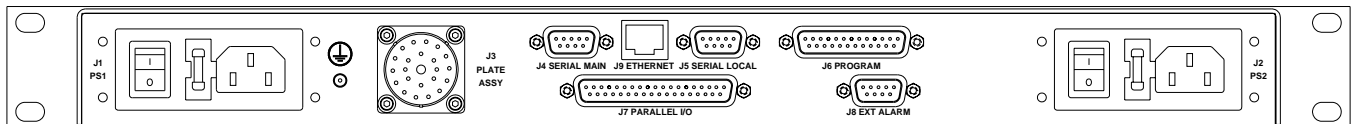
### RCP2-1100 Front Panel Overview; used with 1:1 Redundant Systems



### RCP2-1200 Front Panel Overview; used with 1:2 Redundant Systems

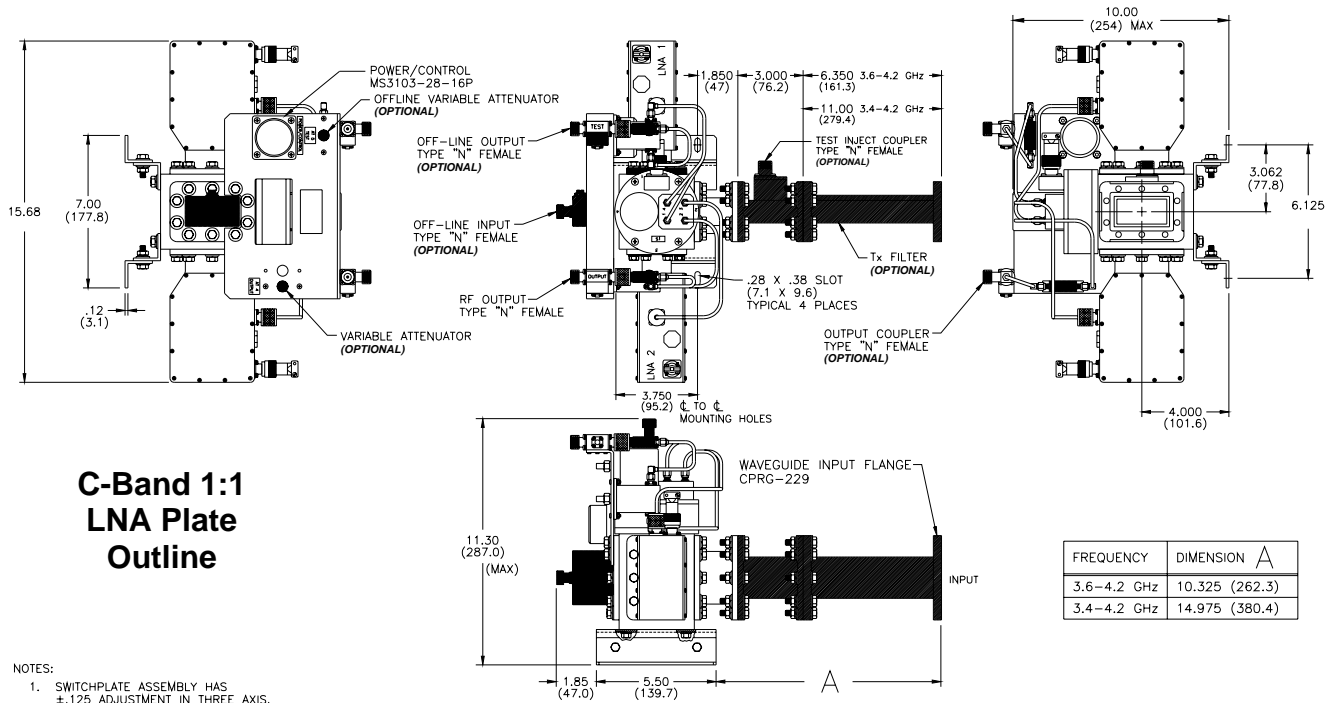


### RCP2-1100/1200 Rear Panel



### RCP2-1100/1200 General Specifications

Characteristic	Specification
Configurations	RCP2-1100 ; 1:1 Redundant System RCP2-1200; 1:2 Redundant System
Switch Time	Fault Detection, 20 - 50 msec Total Switchover (including mechanical switch) - 100 msec maximum
Switch Drive	26 VDC @ 5 Amps
Alarm Input	Closure to Ground, (Ground=OK / Open=Fault)
Serial Communication	RS232 / RS485 4 wire
Parallel I/O	
Status Outputs	Form C Relay Contacts (10 sets)
Control Inputs	Contact Closure to Ground
AC Input Power	85-265 VAC, 47-63 Hz, 1 A max, > 0.93 power factor
DC Input Power (48 VDC Input Option)	36-72 VDC, Maximum DC Input current @ 48V - 2 Amps



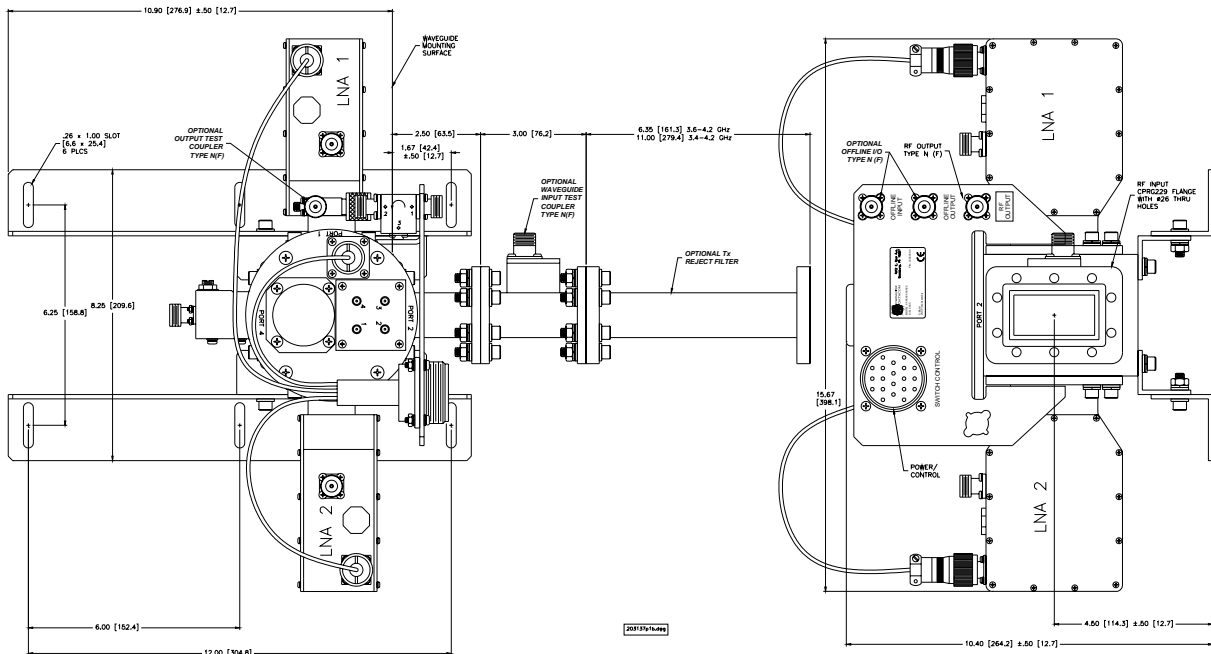
**C-Band 1:1  
LNA Plate  
Outline**

**NOTES:**

1. SWITCHPLATE ASSEMBLY HAS ±.125 ADJUSTMENT IN THREE AXIS.
2. ████████ SHADED COMPONENTS INDICATE SYSTEM OPTIONS.
3. CUSTOM PLATE CONFIGURATIONS ARE AVAILABLE (CONTACT FACTORY)
4. (XXX) DIMENSIONS ARE IN mm.

19450p1g.dwg

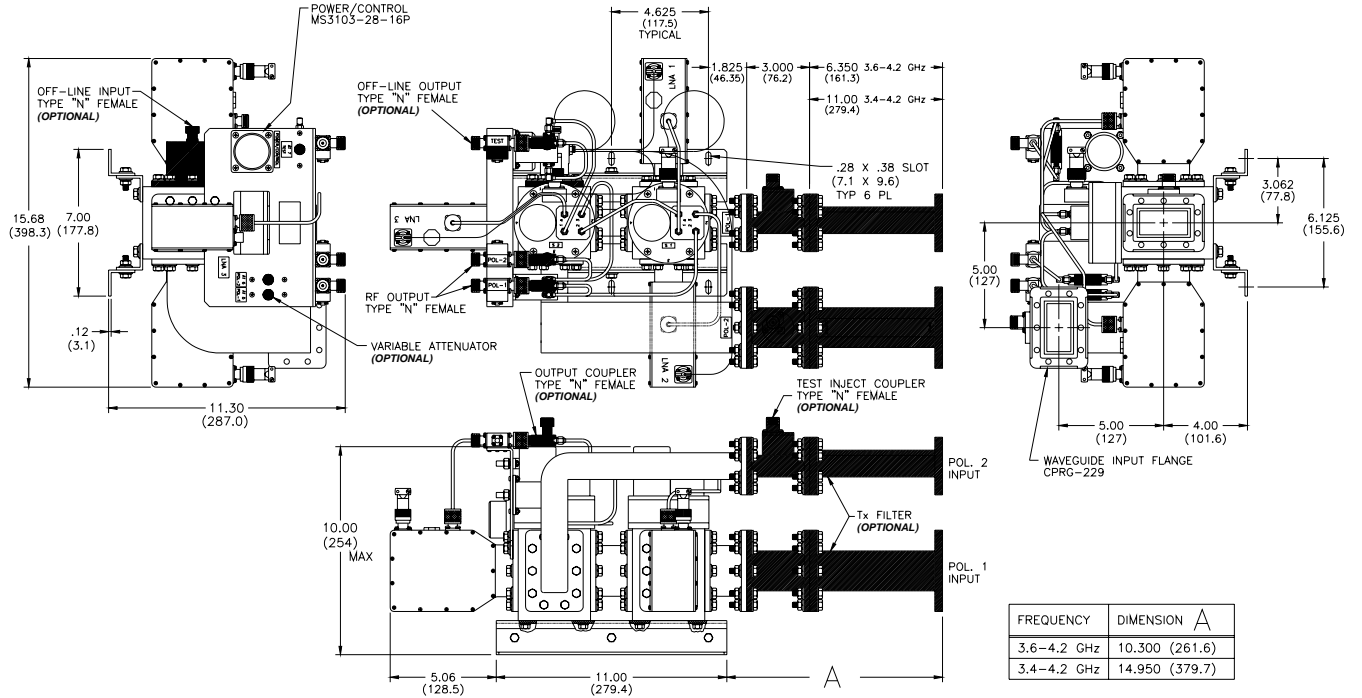
### C-Band 1:1 LNA Compatible Plate Outline (XM Option)



200350/040



### C-Band 1:2 LNA Plate Outline

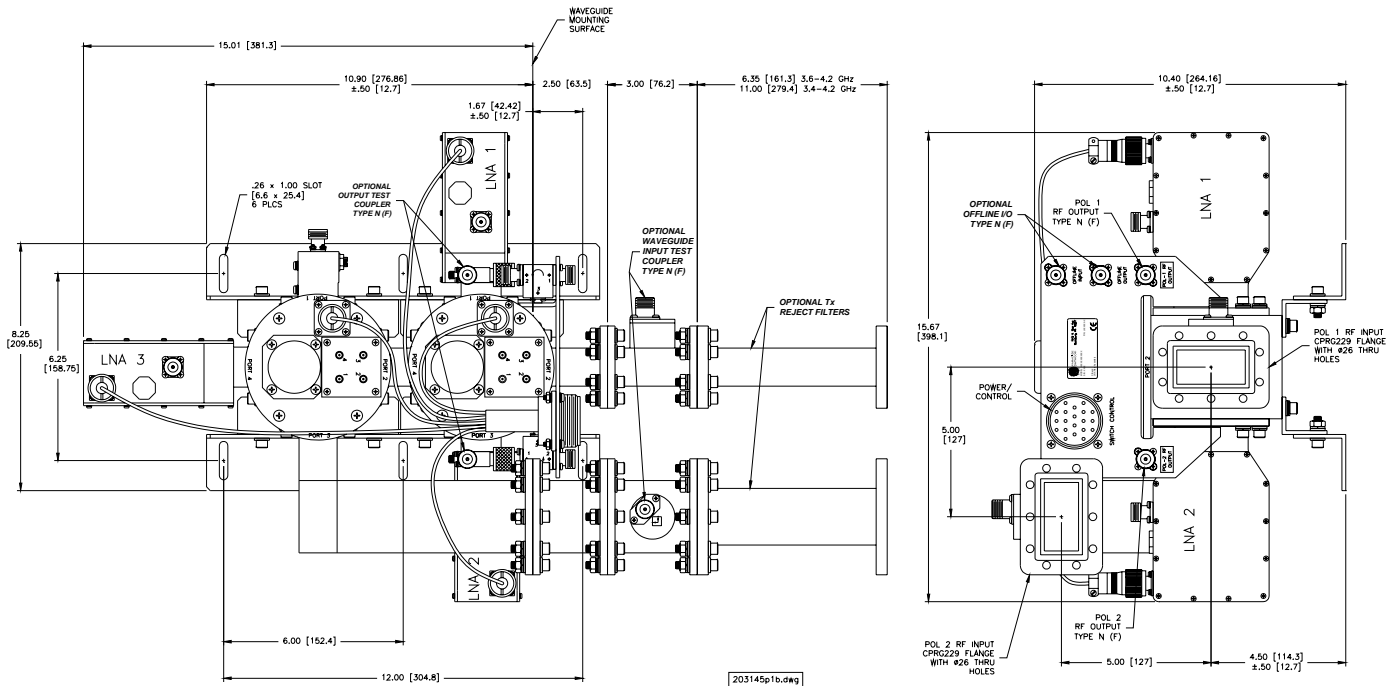


**NOTES:**

1. SWITCHPLATE ASSEMBLY HAS  $\pm 0.125$  ADJUSTMENT IN THREE AXIS.
2.  SHADED COMPONENTS INDICATE SYSTEM OPTIONS.
3. CUSTOM PLATE CONFIGURATIONS ARE AVAILABLE (CONTACT FACTORY)
4. (XXX) DIMENSIONS ARE IN mm.

19444p1g.dwg

### C-Band 1:2 Compatible LNA Plate Outline (XM Option)



203145p1b.dwg



**System level equipment**

DESCRIPTION	QUANTITY PER SYSTEM		NOTES
	1:1	1:2	
Antenna hub-mount plate assembly	1	1	1:1 system includes 1 ea. dual waveguide-coaxial protection switch. 1:2 system includes 2 ea. dual waveguide-coaxial protection switch.
RF3 Series C-band LNAs	2	3	Customer specified noise temperature and gain
Redundant control panel RCP-1100 (1:1) RCP-1200 (1:2)	1 -	- 1	
Interface control cable	1	1	100 ft. (30 m) standard Customer specified up to 1000 ft. (300 m)
Standard test data	1 lot	1 lot	Customer specified special testing available

**System level performance**

PARAMETER	SYSTEM PERFORMANCE			WITH OPTION(S)
	1:1	1:2		
		Pol. 1	Pol. 2	
System Noise Temperature Contribution (above LNA noise temperature)	2 K 4 K 10K 3 K 5 K 11K	2 K 4 K 10 K 3 K 5 K 11 K	4 K 6 K 12 K 5 K 7 K 13 K	None Tx Filter (3.6 - 4.2 GHz) Tx Filter (3.4 - 4.2 GHz) Input Test Coupler Tx Filter (3.6-4.2 GHz) & Input Test Coupler Tx Filter (3.4-4.2 GHz) & Input Test Coupler
System Noise Temp. v Ambient Temp. (approximate)	0.37 K/°C	0.37 K/°C	0.37 K/°C	Option-independent
System Gain v Ambient Temp. (approximate)	- .05 dB/°C	- .05 dB/°C	- .05 dB/°C	Option-independent
System VSWR Input on-line RF thru-paths off-line & coax. coupled input ports Output all RF output ports	1.3:1 1.5:1 1.25:1	1.3:1 1.5:1 1.25:1	1.3:1 1.5:1 1.25:1	

\* System level performance based on use of Paradise Datacom RF3 Series C-Band low noise amplifiers (LNAs). Specifications are subject to change.



### System Configurator

L	N	1	C														
---	---	---	---	--	--	--	--	--	--	--	--	--	--	--	--	--	--

**Output Frequency**  
C - C-Band

**System Configuration**  
1 - 1:1 Redundant  
2 - 1:2 Redundant  
3 - Dual 1:1 Redundant

**Number of LNAs in System**  
0, 1, 2, 3, or 4

**LNA Frequency Band**  
A - 3.7 - 4.2 GHz  
B - 3.4 - 4.2 GHz  
C - 3.6 - 4.2 GHz  
D - 3.625 - 4.2 GHz  
E - 4.5 - 4.8 GHz  
Z - N/A

**LNA Gain**  
1 - 50  
2 - 60  
3 - 65  
4 - 70  
5 - Custom  
9 - N/A

**Special Options**  
XX - None  
XM - Compatible Plate Assembly

**Cables**  
X - No Cables  
A - 100 ft. Control Cable  
D - 150 ft. Control Cable  
Z - Custom Control Cable Length

**Offline & Test Ports**  
0 - None  
1 - Offline  
2 - 30dB Test Input  
3 - Offline & 30dB Test Input  
4 - 40dB Test Input  
5 - Offline & 40dB Test Input

**Controller**  
0 - None  
1 - RCP2-1100  
2 - RCP2-1200  
3 - RCPD-1100  
4 - RCP2-1100, 48VDC  
5 - RCP2-1200, 48VDC

**Tx Reject Filter**  
0 - No  
1 - Yes

**LNA Noise Temperature**  
Freq. Band B      A - 34   B - 35   C - 40  
Freq. Band A,C,D   D - 30   E - 35   F - 40  
Freq. Band E      G - 40   H - 45  
Z - N/A