

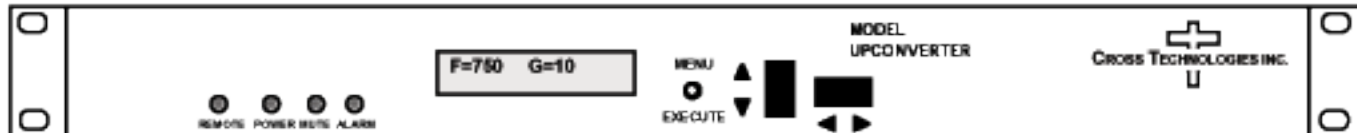


DATA SHEET

PRELIMINARY 5/05/05

2015-75 Upconverter, 250 to 750 MHz

2015-75 Upconverter, 250 to 750 MHz - Converts 70 ± 18 MHz to 250 to 750 MHz in 1 MHz steps with low group delay and flat frequency response. Synthesized local oscillators (LO) provide frequency selection. Multi-function push button switches select the RF frequency, gain, and other parameters. Front panel LEDs provide indication of DC power (green), PLL alarm (red), Remote operation (yellow) or the TX carrier is Muted (red). Variable attenuators for the IF input and output provide a gain range of -10 to +30 dB as adjusted by the front panel multi-function pushbutton switches. Remote operation allows selection of frequency and gain. Parameter selection and frequency and gain settings appear on the LCD display. Connectors are BNC female for IF and external reference input (optional) and Type F, female for the RF output. Powered by a 90-260 VAC power supply; 1 3/4" X 19" X 16" rack mount chassis.



2015-75 UPCONVERTER

EQUIPMENT SPECIFICATIONS*

Input Characteristics

Impedance/Return Loss 75 Ω /18 dB
 Frequency 70 ± 18 MHz
 Input Level -40 to -10 dBm

Output Characteristics

Impedance/Return Loss 75 Ω /10 dB
 Frequency (See Models) 250 to 750 MHz
 Output level 0 to -20 dBm
 Output level/1 dB +5 dBm

Channel Characteristics

Gain range (adjustable) -10.0 to +30.0 dB
 Spurious Response <-50 dBC
 2nd Harmonic <40 dB
 Frequency Response ± 1.5 dB, 250-750 MHz; ± 0.5 dB, 36 MHz BW
 Group Delay, max 0.01 ns/MHz², parabolic, 0.03ns/MHz, linear, 1 ns ripple
 Frequency Sense Non-inverting

Synthesizer Characteristics

Frequency Accuracy ± 1.0 ppm max over temp (± 0.02 ppm optional) internal reference; ext. ref. input, optional
 Frequency Step 1.0 MHz minimum
 Phase Noise < -70, 0.1, 1 kHz; < -80, 10 kHz; < -90, 100 kHz; < -100, 1 MHz
 External 10 MHz level +3 dBm, ± 3 dB, 75 ohms (option -E)

Controls, Indicators

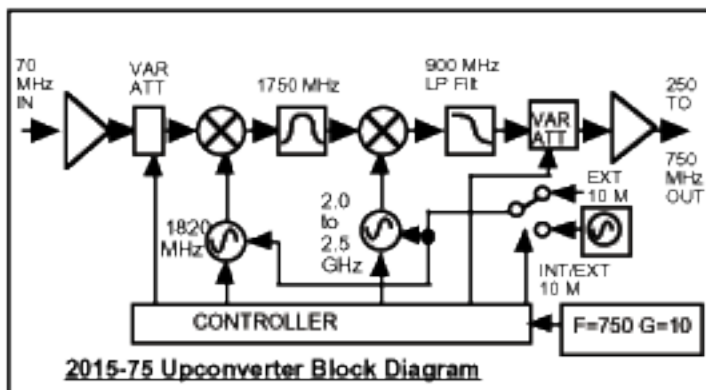
Frequency Selection direct readout LCD; pushbutton switches or remote selection
 Gain Selection direct readout LCD; pushbutton switches or remote selection
 PWR; Alarm; Rem; Mute Green LED; Red LED; Yellow LED; Red LED
 Remote RS232C, 9600 baud

Other

RF, IF, Ext 10 MHz Conn. Type F, female, BNC, female, BNC, female
 Connector, Alarm, Remote DB9 - NO or NC contact closure on Alarm
 Size 19 inch, 1RU standard chassis 1.75"high X 16.0" deep
 Power 90-260 VAC, 47-63 Hz, 45 watts max

MODELS, OPTIONS

2015-75 250-750 Output, 70 MHz Input
 - H High Stability (± 0.02 ppm) internal reference



*+10 to +40 degrees C; Specifications subject to change without notice



www.satcom-services.com

Mike Termond

mike@satcom-services.com

Phone: 1.805.649.1384

Fax: 1.805.649.1174