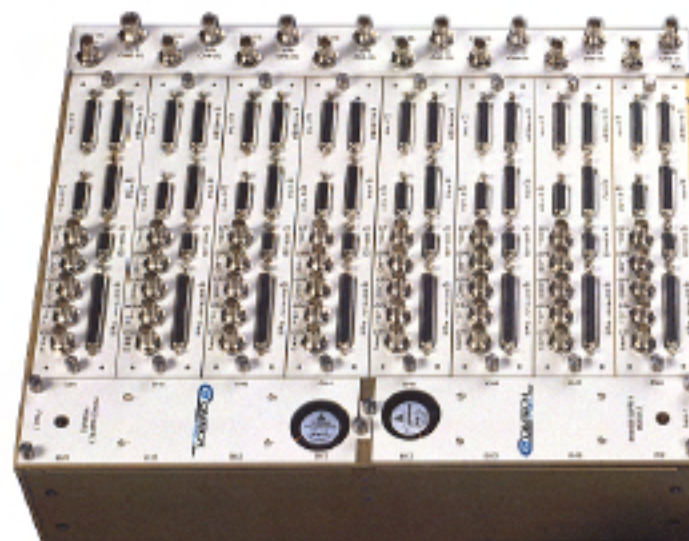




**Main SMS-7000
Control Unit**



SMS-7000 Switch Unit

FEATURES

- Universal Data Interfaces Available at the Switch
- Programmable Independent/Dependent Switch Modes
- Programmable Modem Priority
- Programmable Switching Delay
- Remote Monitor and Control (M&C)
- Optimized Customer IF Configuration
- High-Speed Remote Control

DESCRIPTION

Comtech EFData's SMS-7000 M:N protection switch utilizes fewer cables and occupies less rack space than the previous generation of M:N switches. The SMS-7000 is designed to allow maximum flexibility by incorporating a Universal Terrestrial/User interface.

The SMS-7000 is composed of a control unit and switch unit. A single control/alarm cable connects both units. The control unit (1 RU) is mounted in the front of the rack and the switch unit (8 RU) can be installed in the rear or top of the rack. The control unit gives the user maximum control of the switch in the smallest amount of front-side rack space. The control unit contains an extensive M&C system and is fully controllable from the front panel or from the external EIA-232C/485 port located on the backside of the control unit.

The switch unit is mounted on a locking hinge, allowing the unit to be tilted from the rack. This allows easy access to back plane connectors and to equipment in the rack. The switch unit supports industry standard interfaces, eliminating the need for a separate breakout panel.

The IF section of the switch unit is from 50 to 180 MHz on the uplink and the downlink side, allowing for both narrow band and wideband transponders to be served.

The SMS-7000 can be configured for up to eight prime modems and two backup modems, with dedicated IF uplink and downlink ports for each channel. This feature enables the lowest possible loss of signal, while giving the user maximum flexibility in routing IF signals to/from their desired feeds. The switch allows IF and data signals of any prime modem to be switched to the next available backup modem, and for priority programming of the prime modems for backup.

The SMS-7000 is compatible with most Comtech EFData modems and support products. Please contact your Comtech EFData sales representative to determine product compatibility specific to your application.



www.satcom-services.com

Mike Termond

mike@satcom-services.com

Phone: 1.805.649.1384

Fax: 1.805.649.1174

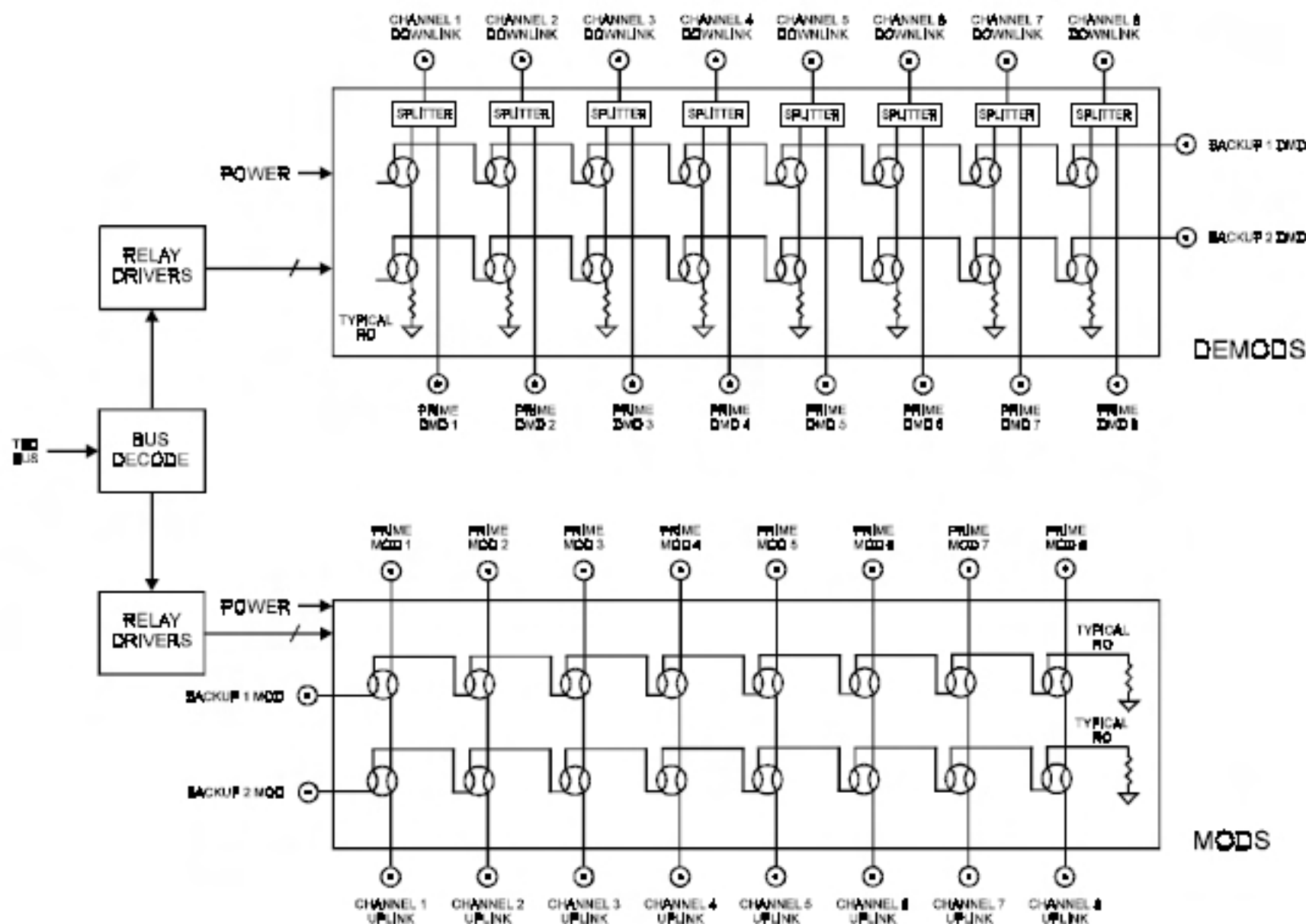
SMS-7000

Modem Protection Switch



Frequency Range	50 to 180 MHz
Impedance at IF Ports	75Ω (50Ω optional)
Return Loss	≥ 18 dB
Transmit IF Loss	< 1.5 dB
Receive IF Loss	< 5 Db
Online Modems	Expandable from 1 to 8 with plug-in panels
Backup Modems	1 or 2
Data Interface	EIA-422/499 (MIL-STD-188), V.35, 8 kbit/s, G.703 balanced/unbalanced
Auxiliary Interface	ADPCM Audio, ESC, Alarms
Operating Modes	Dependent or Independent Switching (Programmable)

Control Unit:	
Size:	19" W x 20.1" D x 1.7" H (1 RU) (48.2 cm x 51.0 cm x 4.3 cm)
Weight:	< 10 lbs (4.5 kg)
Switch Unit:	
Size:	19" W x 4.5" D x 13.9" H (8 RU) (48.2 cm x 11.4 cm x 35.3 cm)
Weight:	< 20 lbs (9.0 kg)
Input Voltage:	
AC	90 to 264 VAC, 50 to 60 Hz, 50W max.
DC	48 VDC, 50W max.
Output Backup Modulator	Within ± 0.25 dB of prime when switched online
Modem Priority	Three Levels, programmable
Remote M&C Interface	EIA-485 or EIA-232C
Control & Monitor	Control and monitor of all switch functions via front panel or remote interface
Transponders	8 uplinks, 8 downlinks



IF Switch Block Diagram



www.satcom-services.com

Mike Termond

mike@satcom-services.com

Phone: 1.805.649.1384

Fax: 1.805.649.1174