



## INTRODUCTION

The DST-C is an integrated, single thread, Single Channel Per Carrier (SCPC), Very Small Aperture Terminal (VSAT) system designed to meet the needs of single and/or multiple site installations. The DST-C system has three major components:

- Block Up Converter (BUC) is a weatherproof unit including an integral L-Band up-converter and amplifier.
- Low Noise Block Converter (LNB) is a low noise receive element with an L-Band interface.
- The Indoor Unit (IDU), is a complete, variable data rate modem with a high stability reference. It includes outdoor unit (ODU) power supplies for the BUC and LNB in an integrated 1RU package. The Tx and Rx IF are L-Band.

## MAIN FEATURES

- C-Band Digital Satellite Terminal:
  - Comtech EF Data L-Band Modem
  - 2, 5, or 10 Watt Block Up Converter (BUC)
  - Low noise block converter (LNB)
- Tx frequency: 5.850 to 6.425 GHz
- Rx frequency: 3.625 to 4.200 GHz
- Fully Accessible System Topology (FAST) software options

## APPLICATIONS

The DST-C is designed for VSAT applications that require maximum performance and reliability, including:

- Point to point and point to multi-point links
- Symmetric and Asymmetric Networks
- Internet and router connectivity
- Automatic Uplink Power Control (AUPC) enhanced links

## BLOCK UP CONVERTER (BUC)

The BUC translates the L-Band carrier from the IDU (modulator) to the output frequency of the terminal and boosts the power level of the carrier. The BUC also locks to a 10 MHz reference signal from the IDU. FSK enabled BUCs allow the modem to monitor the BUC's output level and maintain a constant output power. No additional cabling is required as the FSK signal is passed over the BUC IF cable.

## LNB ASSEMBLY

The LNB assembly delivers an L-Band receive signal to the IDU. Optionally, a waveguide Transmit Reject Filter (TRF) is available. The standard LNB noise temperature is  $\leq 35^\circ$  K. DC power and 10 MHz is supplied through the IFL center conductor from the IDU.

## MODEM

The IDU for the DST-C features any Comtech EF Data L-Band modem including the CDM-600L, SDM-300L3, CDM-570L, CDM-Qx, CDM-IP 300L or SNM-1001L operating at data rates below 32 kbps and up to 20 Mbps. Along with the L-Band signals between the IDU and ODU, these modems deliver BUC and LNB power supply voltage, 10 MHz and FSK communications. See the individual datasheets for complete modem capabilities.

## MONITOR & CONTROL (M&C)

The DST-C employs a familiar, user-friendly M&C, which is accessible from either the front panel or the remote port of the modem. The M&C includes:

- Data rate and code rate
- BUC and LNB
  - Power supply ON / OFF
  - High and low current alarms
  - 10 MHz ON / OFF
- Tx Carrier ON / OFF
- C-Band Tx and Rx frequency programming
- FSK and Power Leveling ON / OFF for FSK BUCs
- Link power control with AUPC

## EDMAC

A special feature of the CDM-xxx series of modems is the Embedded Distant-end Monitor and Control (EDMAC). The proprietary EDMAC overhead channel provides the ability to monitor and control the distant end from the local earth station while transparently passing user data. This is done from the front panel of the local modem or via the remote port.



www.satcom-services.com

Mike Termond

mike@satcom-services.com

Phone: 1.805.649.1384

Fax: 1.805.649.1174



## Transmit Characteristics

Frequency Range	5.850 to 6.425 GHz
Frequency Resolution	100 Hz
Max. Power (P <sub>1dB</sub> )	2 Watt +33 dBm at 25°C
	5 Watt +37 dBm at 25°C
	10 Watt +40 dBm at 25°C
Power Resolution	0.1 dB steps
Power Stability (Over Temp.)	4 dB pk-pk typical w/o Power Leveling
	1 dB pk-pk typical with Power Leveling
Spurious (Not Intermods)	< -15 dBm/4 kHz
Spectral Re-growth (P <sub>out</sub> =6 dB below P <sub>1 dB</sub> )	< -33 dBc
Tx Phase Noise (DSB)	< 2.8° RMS integrated 100 Hz to 1 MHz
Frequency Stability	± 0.02 ppm

## Receive

Input Frequency Range	3.625 to 4.200 GHz
Frequency Resolution	100 Hz
Noise Temperature	≤ 35° K (typical @ 25°C [77°F])
Rx Image Rejection	45 dB, minimum

## Environmental and Physical

<b>ODU - BUC</b>	
Operating Temperature	-40° to +55°C (-40° to +131°F)
Operating Humidity	0 to 100% RH
Storage Temperature	-50° to +80°C (-58° to +176°F)
Connectors (In/Out)	Type N/CPR-137G
Weight	15 lbs. (6.8 kg) typical
<b>ODU - LNB</b>	
Operating Temperature	-40° to +55°C (-40° to +131°F)
Operating Humidity	0 to 100% RH
Storage Temperature	-50 to +80°C (-58° to +176°F)
Connectors (In/Out)	CPR-229C/Type N
Weight	2 lbs. (0.9 kg) typical
<b>IDU</b>	
Operating Temperature	0 to 50°C (32° to 122°F)
Operating Humidity	Up to 90%, non-condensing
Prime Power	85 to 264 VAC, 47 to 63 Hz, 150 W max.



## Remote Control Specifications

Serial Interface	EIA-232 or EIA-485 (2 or 4 wire)
M&C Items:	
Tx Freq.	Tx Power
Scrambler ON/OFF	Plesiochronous Buffer
Data Rate Select	Data Loopback
Power Supply Voltages	FSK ON/OFF
Rx Freq.	Rx Carrier Detect
Rx Signal Level	Transmitter ON/OFF
Fault Status	IF Loopback (L-Band)
Raw Error Rate	Error Threshold Alarm
Configuration Retention	

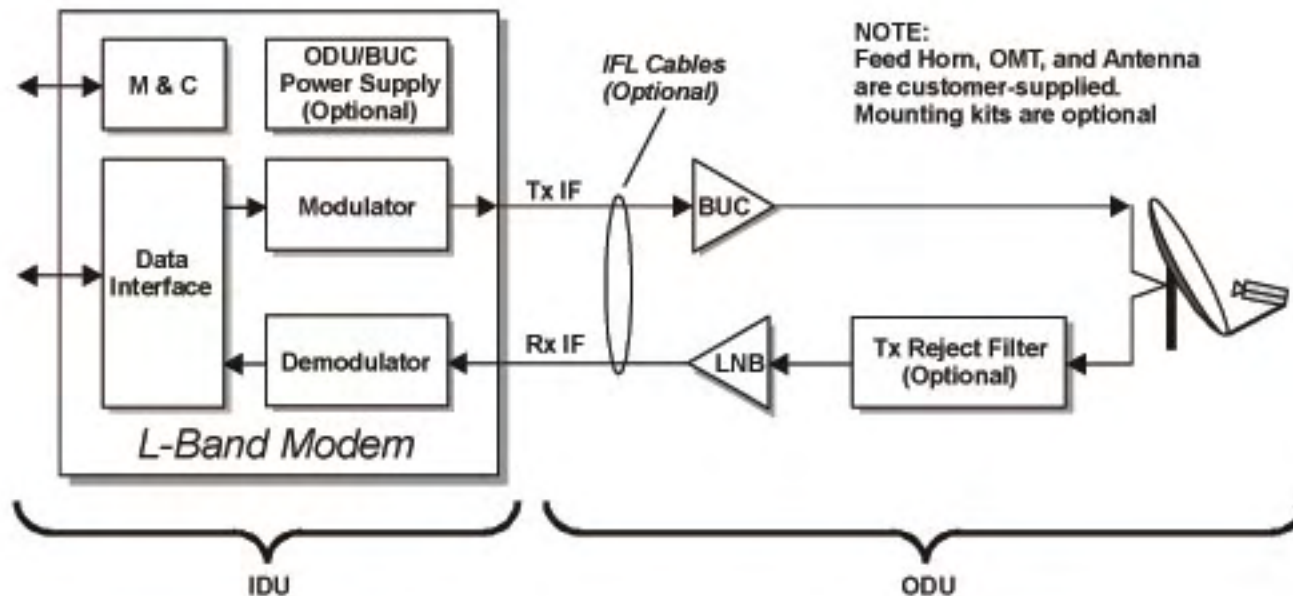
## Available Options

### Modem Options (See modem datasheet for complete details)

- Variable Data Rate
- OQPSK, 8-PSK, or 16-QAM
- Asymmetrical Loop Timing
- 2 x ADPCM Audio in 64 Kbps IBS
- Add Viterbi or Sequential Decoder
- Turbo Product Codec
- Concatenated Reed-Solomon Codec
- G.703 Interface with DB9 and BNC for Closed Network (requires OH card)
- Async/AUPC, with 50-pin D Connector (requires OH card)
- ODU/BUC power supply for BUC (24 Vdc at 100W), 2 and 5W BUC
- ODU/BUC power supply for BUC (48 Vdc at 150W), 10 W BUC
- 25-Pin Female D Connector with EIA-530 (EIA-422), EIA-232 and V.35

## ODU Options

- LNB: 3.625 to 4.200 GHz
- LNB with external reference or internal ± 3 ppm
- LNB Type N or Type F connector
- Mounting Kits
- Tx Reject Filter
- BUC power 2 Watts (24 Vdc)
- BUC power 5 Watts (24 Vdc)
- BUC power 10 Watts (48 Vdc)
- IFL Cables (cables and connectors)
- BUC with Power Leveling and FSK communications



www.satcom-services.com

Mike Termond

mike@satcom-services.com

Phone: 1.805.649.1384

Fax: 1.805.649.1174