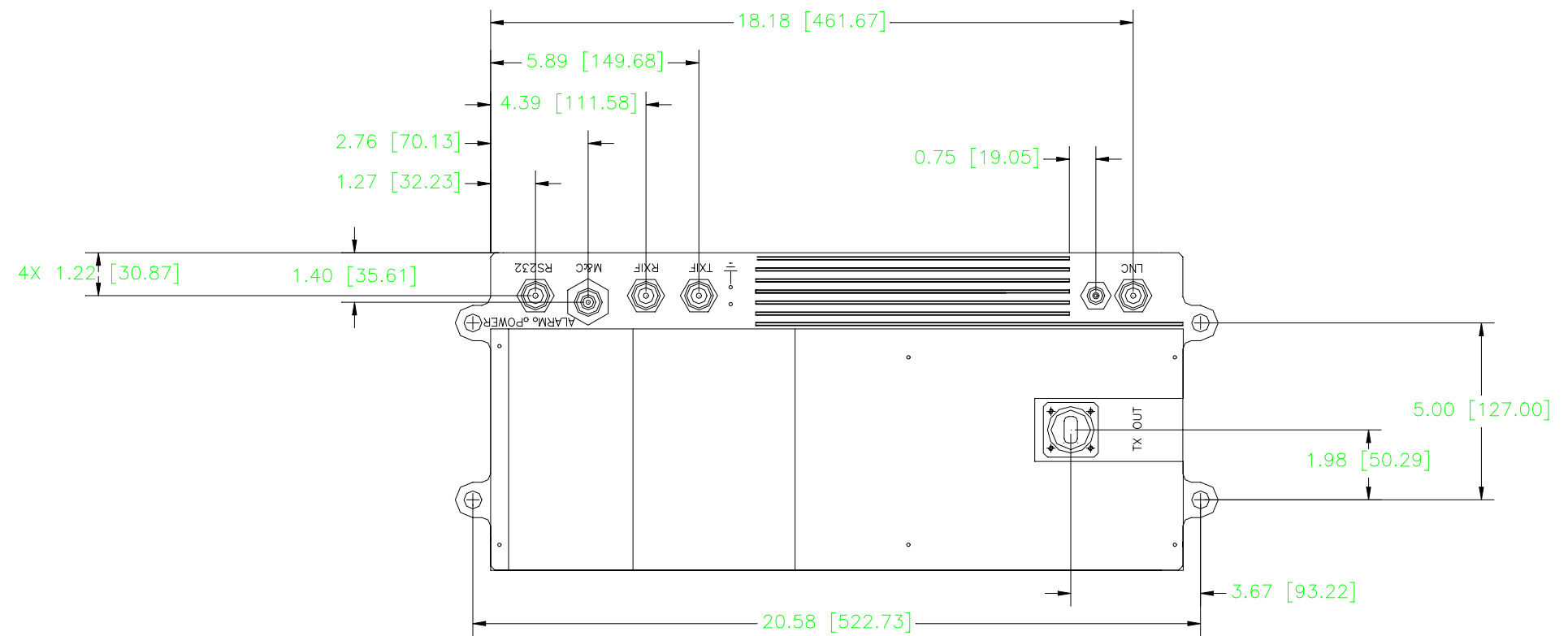
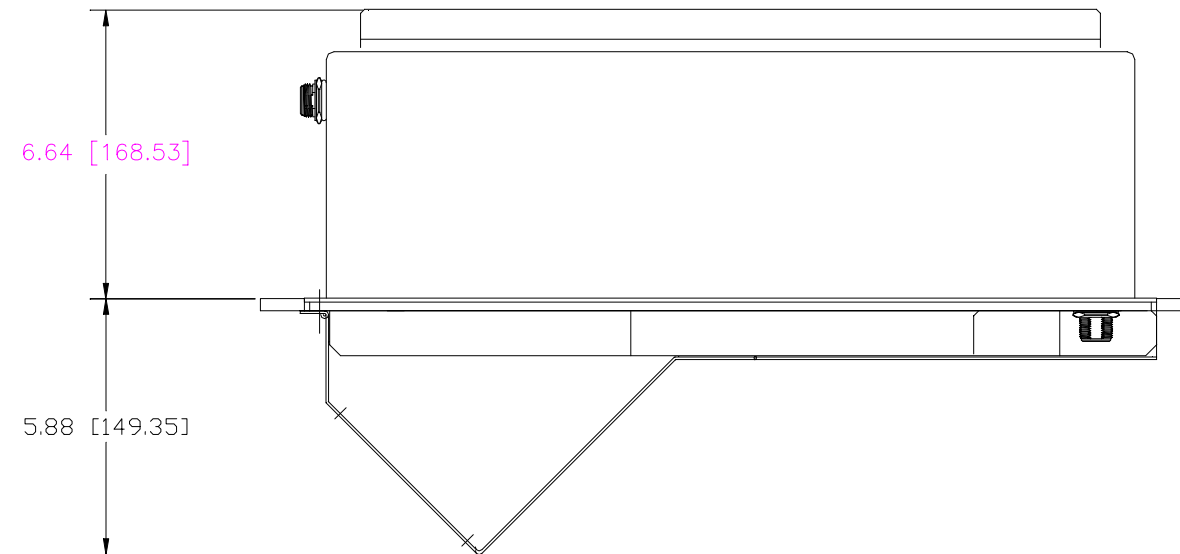
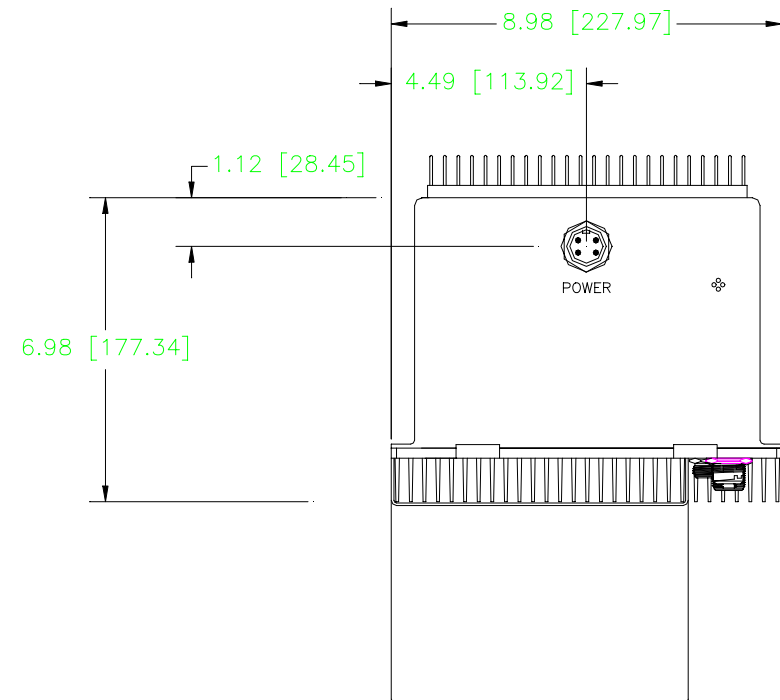


REV	BY	DESCRIPTION	DATE	APPROVED
03	VT	REV PER FILE NO. 30971021 (REV. 2)	03/24/00	DT
04	TD	REV PER FILE NO. 30971031 (REV 2)	07/05/00	



ANACOM, INC.			
OUTLINE DRAWING			
Ku Band; 16/20/23/25 WATT			
SIZE	CLASS CODE	DRAWING NUMBER	REV
D		30971	4
SCALE: NONE	FILE No. 30971041	SHEET 1 OF 1	