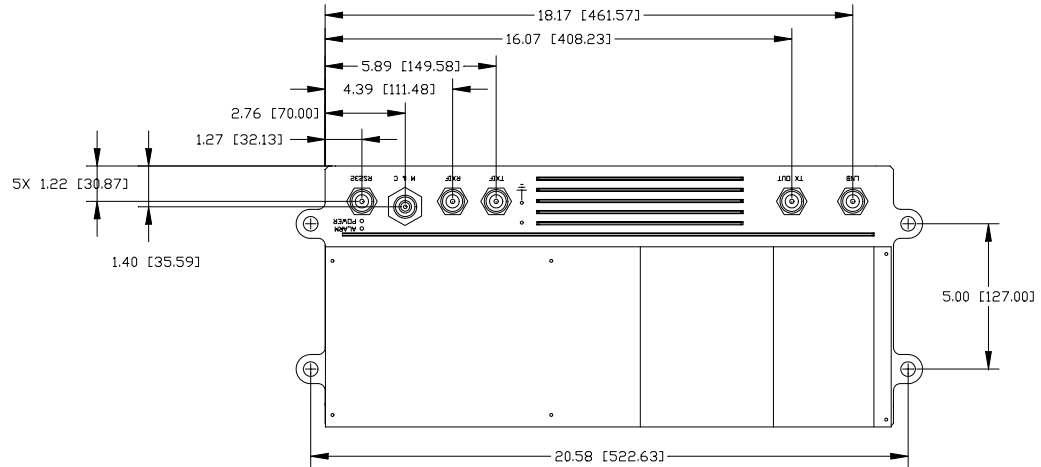
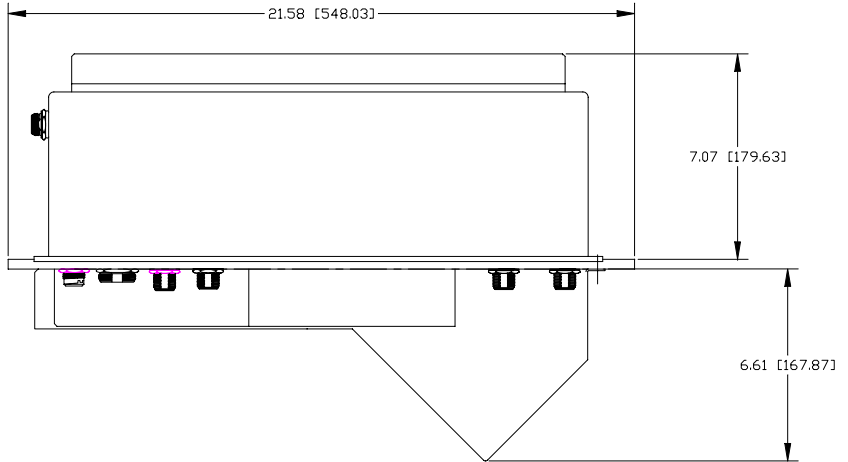
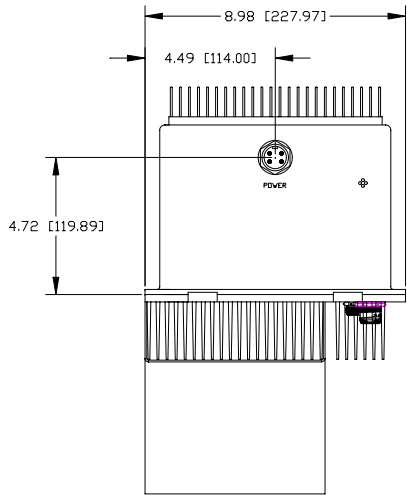


REV	BY	DESCRIPTION	DATE	APPROVED
3	TD	REVISED PER ECD 404	07/05/00	



**ANACOM, INC.**

**OUTLINE DRAWING**  
**ODU, 40 WATT TYPE N**

SIZE	CLASS CODE	DRAWING NUMBER	REV
D		30901	3

SCALE: NONE | FILE No. 3090131 | SHEET 1 OF 1