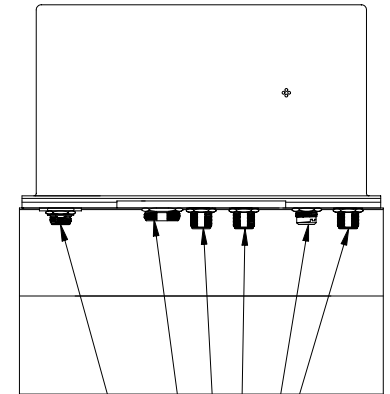
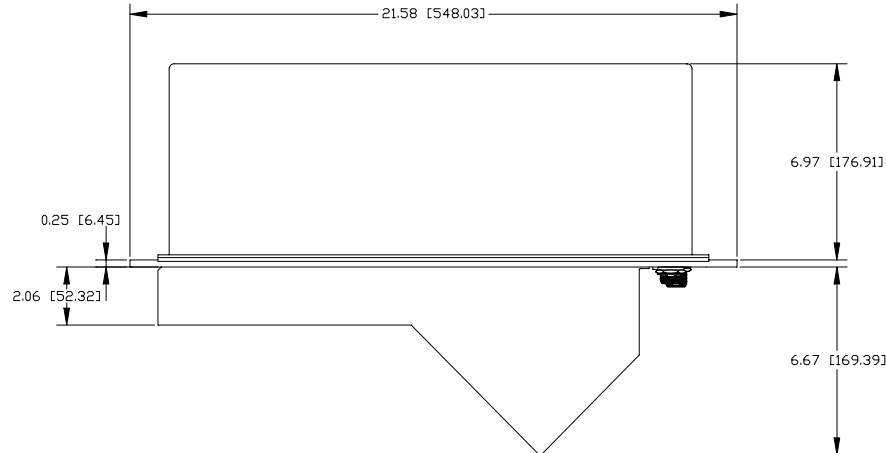
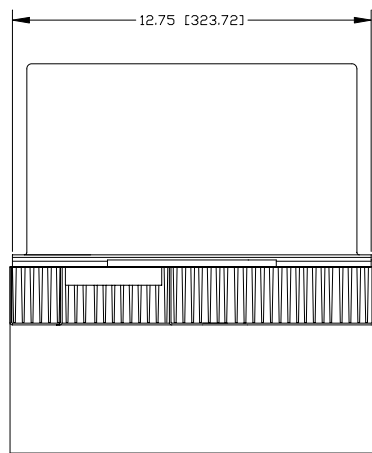
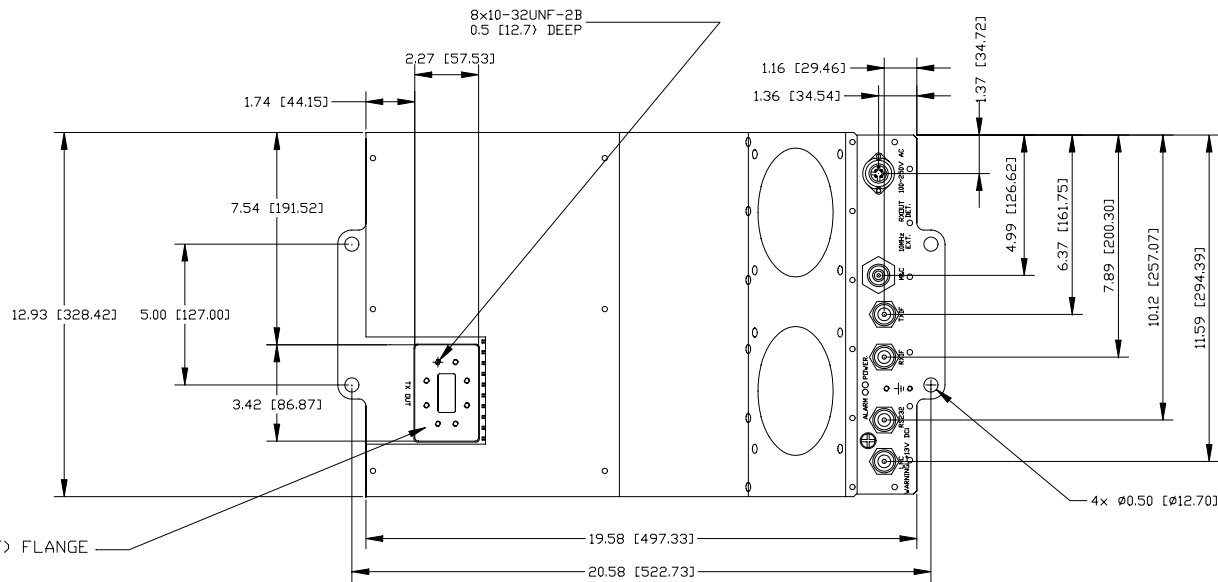


REV	BY	DESCRIPTION	DATE	APPROVED
1	ZHU	PROTOTYPE RELEASED	10/08/01	
2	ZHU	REV. PER ECO#648	11/11/02	



- LNC [TYPE NCF]
- RS232 [6 PIN]
- RXIF [TYPE NCF]
- TXIF [TYPE NCF]
- M&C [18 PIN]
- AC POWER [4 PIN]



TX OUT, CPR137(F) FLANGE

8x10-32UNF-2B  
0.5 [12.7] DEEP

4x Ø0.50 [Ø12.70]

ANACOM, INC.

OUTLINE DRAWING  
ODU, 100WATT C-BAND

SIZE	CLASS CODE	DRAWING NUMBER	REV
D		31486	2
SCALE: NONE		FILE No. 31486021	SHEET 1 OF 1